

Mercury™-based Wavestore Serial I/O Single Card Interface

WS-MR50-S3

Key Benefits

Open Architecture:

High performance, reliable platform enables use of hardware with Mercury OEM partners software solutions

Enhanced Cybersecurity:

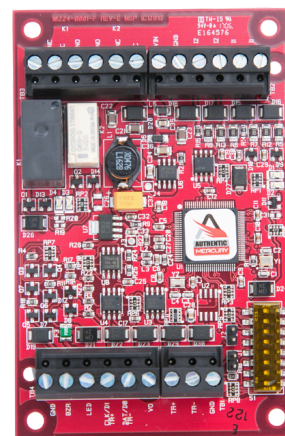
Embedded crypto memory chip provides secured layer of encryption to protect sensitive data

OSDP Protocol:

Supports OSDP and Secure Channel protocol for device connectivity, file transfer and extended applications such as biometrics and federal government profile support

Versatile Interoperability:

Same reliable interface and identical footprint as the Series 2 Mercury IO modules, enabling seamless upgrades for existing deployments.



The Wavestore Mercury-Based MR Series 3 Serial Input/Output (SIO) modules enable system expansion of Mercury intelligent controllers as part of Mercury's distributed architecture. The enhanced modules offer an improved processor and increased memory, plus features an embedded crypto memory chip that provides a secured layer of encryption to onboard sensitive data. Built on the HID Mercury open platform, Series 3 modules provide the necessary flexibility for OEMs, channel partners and end customers to choose the controller configuration that best fits their needs.

The WS-MR50-S3 is an enhanced SIO single card reader interface panel dedicated to individual door oversight and provides of all the I/O needed for controlling a single door. Each WS-MR50-S3 connects one card reader, two general purpose input monitor points and two control relays for access control and security monitoring through an Mercury intelligent controller.

With two-wire RS-485 connectivity, the WS-MR50-S3 reader port supports OSDP, OSDP Secure Channel, FICAM government profiles, keypads, biometric readers, Wiegand, clock and data, magnetic stripe, F/2F and supervised F/2F reader technologies. System configuration and setup are provided through Mercury OEM partner software applications.

The WS-MR50-S3 is the latest generation door interface module for Mercury intelligent controllers, the platform of choice for customers seeking open architecture access control solutions.

Highlights

AES 128/256 bit data encryption

HSPD-12/FIPS201 compliant

UL 294 recognized, CE compliant, FCC, RoHS

Supports OSDP, OSDP Secure Channel, FICAM government profiles, keypads, biometric readers, Wiegand, clock and data, magnetic stripe, F/2F and supervised F/2F reader technologies

RS-485 host connectivity

Application Notes

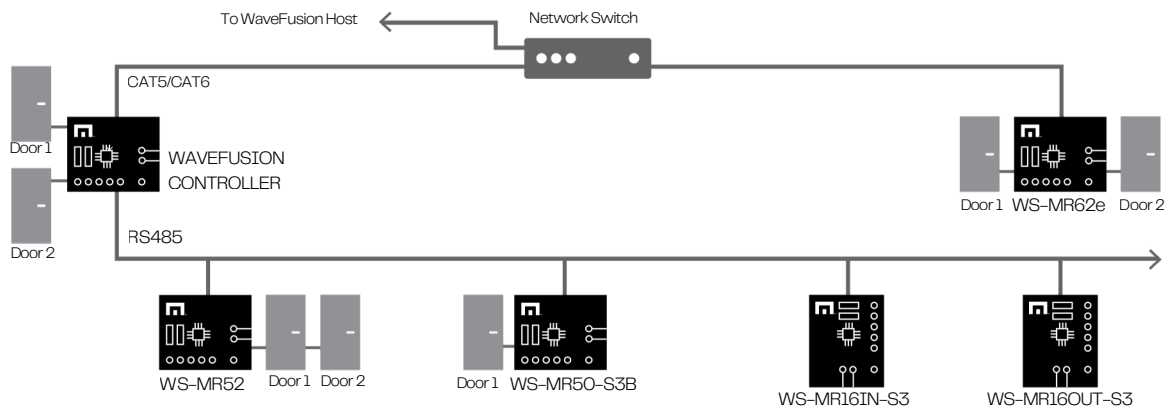
The inputs and the relays can be assigned to door-related functions or to general purpose I/O. The inputs support normally open, normally closed, supervised and non-supervised circuits. End-of-line (EOL) resistance values are configurable, and the relays can be configured for fail-safe or fail-secure operation.

When connected to an HID Mercury intelligent controller, the WS-MR50-S3 can relate the activities of selected system devices to other devices within the system, generating actions and allowing activities to occur independent of the host. The WS-MR50-S3 can also locally process access requests based on facility code verification, even when disconnected from an intelligent controller. Up to eight facility codes may be active in each WS-MR50-S3.

Specifications

WS-MR50-S3	
Primary Power	12-24 VDC +/- 10%, 150mA maximum
Host Communication	RS-485, 2-wire, 4,000' (twisted pair with shield, Belden 9841)
Reader Port	1 Reader Port*
Card/Keypad Data	OSDP, Clock/Data, Data-1/Data-0, RS-485 or F/2F
Keypad	8-bit Mercury, 8-bit Dorado/HID, 4-bit HID
Reader Power	Input voltage pass-through
LED	One-wire bi-color LED or two-wire LED
Buzzer	Only with 'one-wire' LED
Inputs	2 General Purpose: Programmable circuit type 1 Dedicated: Tamper
Output Relays	Relay 1: Normally open contact (NO): 5A @ 30 VDC resistive Normally closed contact (NC): 3A @ 30 VDC resistive Relay 2: 2A @ 30 VDC resistive
Dimensions	2.75" L x 4.25" W x 1.0" H, (70mm L x 108mm W x 25.4mm H)
Temperature	Storage: -55 - 85° C Operational: -40 - 75° C
Humidity	5 to 95% RHNC
Product Compliance	UL294 Recognized, FCC Part 15 Class A, CE Compliant, RoHS (2011/65/EU & 2015/863), EU REACH (1907/2006), California Proposition 65

*Note: A single entry/exit door application (2 readers total) can be supported when connected to OSDP readers.



wavestore

Visit wavestore.com/wavefusion for more information.

Wavestore Global Ltd
0800 640 6660
info@wavestore.com

Wavestore Canada Inc
+1 855 526 8887
salesamericas@wavestore.com

Wavestore Middle East
+971 (4)881 2903