

Mercury™-based Wavestore Serial I/O 16-Output Interface

WS-MR16OUT-S3

Key Benefits

Open Architecture:

High performance, reliable platform enables use of hardware with Mercury OEM partners software solutions.

Enhanced Cybersecurity:

Embedded crypto memory chip provides secured layer of encryption to protect sensitive data.

Easy Expansion:

Adds functionality and flexibility to existing access control systems.

Versatile Interoperability:

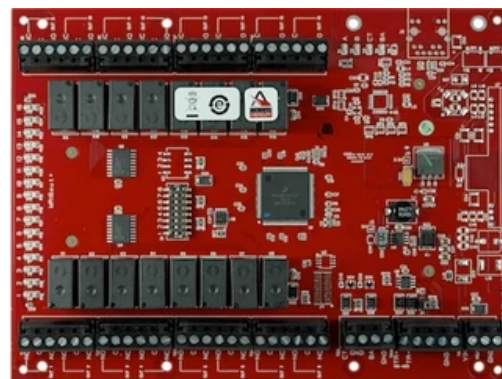
Same reliable interface and identical footprint as the Series 2 Mercury IO modules, enabling seamless upgrades for existing deployments.

The Wavestore Mercury-Based MR S3 Serial Input/Output (SIO) modules enable system expansion of Mercury intelligent controllers as part of Mercury's distributed architecture. The enhanced modules offer an improved processor and increased memory, plus features an embedded crypto memory chip that provides a secured layer of encryption to onboard sensitive data. Built on the HID Mercury open platform, Series 3 modules provide the necessary flexibility for OEMs, channel partners and end customers to choose the controller configuration that best fits their needs.

The WS-MR16OUT-S3 can be used for a variety of applications, including status annunciation and alarm monitoring applications such as lighting, heating/cooling, door and elevator control. Devices can also be activated by the condition of selected system devices, either locally or regionally, without host intervention.

The panel is dedicated to point control and monitoring, enabling OEMs to support 16 general-purpose output circuits. The circuits can be individually set for sensitivity ranges, timing parameters (normally-open or normally-closed operations) and end-of-line resistance values. They can also be declared supervised and non-supervised. Two programmable relay outputs are configurable for fail-safe or fail-secure operation, supporting "On," "Off," "Pulse" and "Repeating Pulse" commands.

The WS-MR16OUT-S3 is the latest generation door interface module for Mercury intelligent controllers, the platform of choice for customers seeking open architecture access control solutions.



Highlights

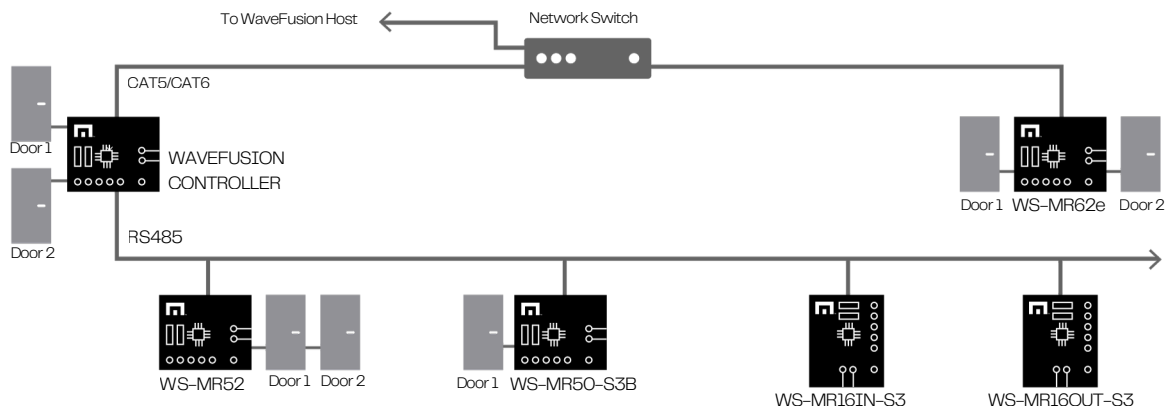
- AES 128 Data Encryption
- Universal I/O device characterization
- Power supervision and tamper monitoring
- Universal system compatibility

Application Notes

The Mercury-based WS-MR16OUT-S3 is an essential component that supports Mercury's flexible, building-block approach to access control system design. The WS-MR16OUT-S3 provides the capacity to link, control and respond to an array of sensors. With its RS-485 connectivity, the WS-MR16OUT-S3 can be clustered or distributed to best suit each installation environment.

Specifications

WS-MR16OUT-S3	
Primary Power	12-24 VDC +/- 10%, 1100mA maximum 12Vdc @ 850mA nominal 24Vdc @ 450mA nominal
Host Communication	RS-485, 2-wire, 4,000' (twisted pair with shield, Belden 9841)
Inputs	2 Dedicated: Tamper and Power Monitor
Output Relays	16 Relays: Form-C, 5 Amp 28Vdc
Dimensions	6.0" W x 8.0" L x 1.0" H (152mm W x 203mm L x 25mm H)
Temperature	Storage: -55° - 85° C Operational: 0° - 70° C
Humidity	5 to 95% RHNC
Product Compliance	UL294 Recognized, FCC Part 15 Class A, CE Compliant, RoHS (2011/65/EU & 2015/863), EU REACH (1907/2006), California Proposition 65



wavestore

Visit wavestore.com/wavefusion for more information.

Wavestore Global Ltd
0800 640 6660
info@wavestore.com

Wavestore Canada Inc
+1 855 526 8887
salesamericas@wavestore.com

Wavestore Middle East
+971 (4)881 2903