

# Mercury™-based Wavestore Multiplexer

WS-MUX8

## Key Benefits

**Open Architecture:**  
Conquer difficult installations

**Easy Expansion:**  
Flexibly expand data lines

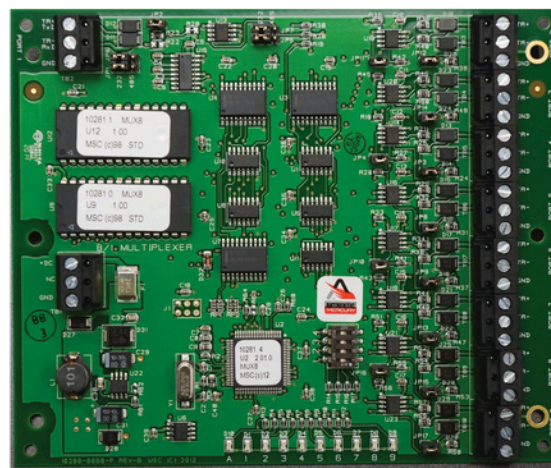
**Reliability:**  
Guard against ground loop installation issues

The Mercury-based WS-MUX8 adds flexibility to expand a single data line into multiple data lines to meet difficult system design and installation challenges.

Common uses include star topology, wiring schemes, home-run wiring, or when wiring distances exceed the 4000 ft. limit of the RS-485 standard.

It utilizes bus-arbitration logic on a first-come, first-serve basis and can detect and deactivate a broken channel to protect the integrity of the communications bus.

The WS-MUX8 is an 8-port multi-device interface panel that provides the flexibility to take RS-485 or RS-232 wiring inputs to create up to four 4-wire RS-485 communication channels or up to eight 2-wire RS-485 channels.



## Highlights

Per port voltage isolation

Universal system compatibilities across intelligent controller families

RS-232 or RS-485 inputs accepted

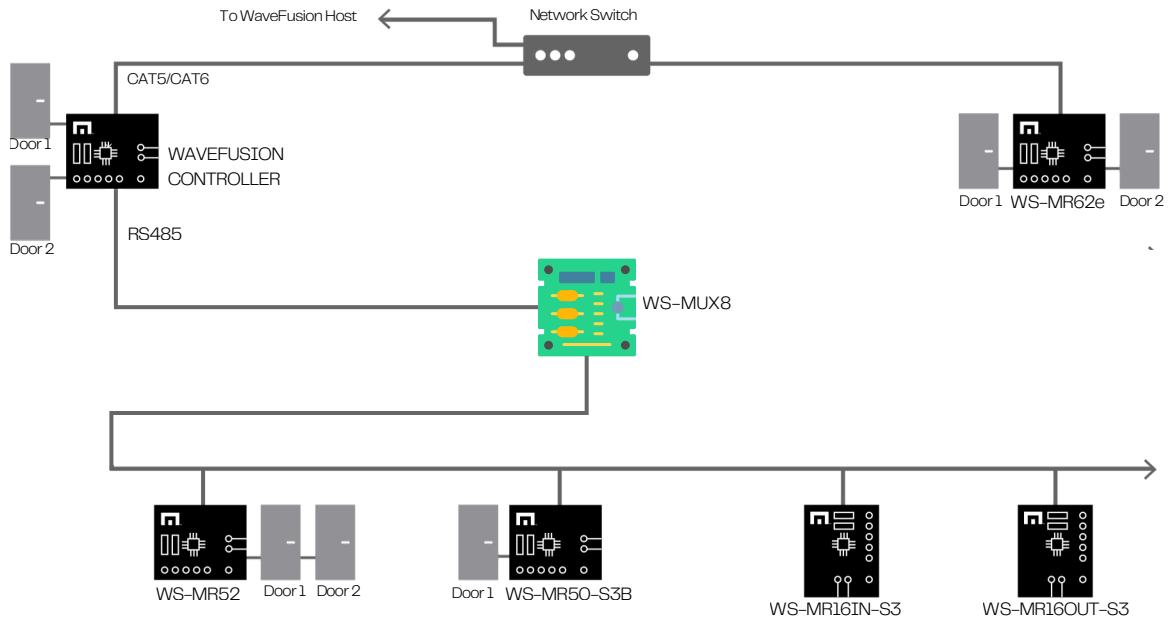
Supports up to four, 4-wire RS-485 channels or up to eight, 2-wire RS-485 channels

## Application Notes

The Mercury-based WS-MUX8 multiplexer accessories add to a developer's ability to manage divergent system installations. Unmatched power, flexibility, and economy make the Mercury multiplexers an essential, reliable and efficient element for developing today's sophisticated security systems in complex environments.

# Specifications

WS-MUX8	
Primary Power	12 to 24 VDC ± 15%, 350mA
Interface Ports	Port 1: RS-232/RS-485, selectable Port 3,5,7,9: RS-485, Transmit/Receive Port 2,4,6,8: RS-485, Transmit/Receive, or Receive Only
Cable Requirements	Power: 1 pair, 18 AWG RS-485: 24AWG, 4,000ft (1,200m) max., twisted pair(s) with shield. RS-232: 24AWG, 50ft (15m) max.
Dimensions & Weight	6.0" W x 5.0" L x 1.0" H (152mm W x 127mm L x 25mm H) 5.4 oz. (153 g) nominal
Temperature	Storage: -55° - 85° C Operational: 0° - 70° C
Humidity	5 to 95% RHNC
Product Compliance	UL294 Recognized, CE Compliant, RoHS (2011/65/EU & 2015/863),



**wavestore**

Visit [wavestore.com/wavefusion](http://wavestore.com/wavefusion) for more information.

Wavestore Global Ltd  
0800 640 6660  
info@wavestore.com

Wavestore Canada Inc  
+1 855 526 8887  
salesamericas@wavestore.com

Wavestore Middle East  
+971 (4)881 2903