

Wavestore Vision 5MP IR Bullet IP Camera

WV-5B-27V13-AI

- Indoor/Outdoor Application
- 30fps at 5MP
- H.265, H.264 and MJPEG compression
- Superior low light performance
- True Day/Night and WDR
- Remote zoom and focus lens (auto focus)
- SMART Bitrate Control and Region of Interest
- Deep Learning Object-Tracking and People-Tracking Analytics



| TECHNICAL SPECIFICATION | |
|--|---|
| Camera | |
| Model No. | WV-5B-27V13-AI |
| Image Sensor | 1/2.8" 5.14M CMOS |
| Effective Pixels | 2592(H) x 1944(V) |
| Scanning System | Progressive scanning |
| AGC Control | Auto |
| IRIS Type | P-IRIS |
| Minimum Illumination | Colour: 0.08 Lux / B/W : 0 Lux (IR LED On) |
| Lens | 2.7 - 13.5mm, F1.4 |
| Angle of View | Horizontal: Approx. 80° (Wide) to 38° (Tele) |
| Shutter Time | Auto / Manual: 1/30 ~ 1/32,000, Anti Flicker, Slow Shutter (1/2,1/3,1/5,1/6,1/7.5,1/10) |
| Day & Night | True Day & Night (Removable IR-cut filter) |
| Wide Dynamic Range | True WDR |
| S/N Ratio | 50 dB |
| IR Illuminator | |
| IR LED | 6 x High Power LED |
| IR Working Distance | 40m |
| Video | |
| Video Compression | H.265, H.264, MJPEG |
| Profile | H.264 : MP / HP H.265 : MP |
| Multiple Profile Streaming Performance | 2592x1944p30+ 480p30 with H.264,H.265 + MJPEG |
| Max Resolution | 2592x1944 |
| Video Bit Rate | 100Kbps ~ 10Mbps Multi rate for Preview and Recording |
| Bitrate Control | Multi Streaming CBR/VBR (Controllable frame rate and Bandwidth) |
| Digital Noise Reduction | 3D-DNR |
| Privacy Mask | 16 programmable zones |
| Special Features | SMART Bitrate Control, Region of Interest |
| Other Image Processing | Configurable Exposure, White Balance, Sharpness |
| Image Orientation | Flip / Mirror / Corridor Mode |
| Analogue Output | 1 (Installation only) CVBS 1.0V p p (75Ω), 4:3 aspect ratio |

| TECHNICAL SPECIFICATION | |
|-------------------------|--|
| Audio | |
| Audio Streaming | Two way |
| Audio Compression | G.711 |
| Audio input / output | 1 / 1 |
| Event | |
| Event Trigger | Motion Alarm, Internal Temp Limit, Digital Input |
| Pre-Post Recording | Pre: 1-5 sec Post: 1-240 sec |
| Event Notification | FTP, E-mail, Alarm out, SD card |
| Network | |
| Ethernet Standard | 10/100Base T |
| IP | IPv4 |
| Protocol | TCP/IP, UDP, AutoIP, RTP(UDP/TCP), RTSP, NTP, HTTP, HTTPS, SSL, DNS, DDNS, DHCP, FTP, SMTP, ICMP, SNMPv1/v2/v3(MIB 2), ONVIF |
| Security | HTTPS(SSL), IP filtering, 802.1x, Digest Authentication |
| Plug In | ONVIF Profile S, CGI API |
| General | |
| Material | Aluminum Die-casting, White |
| External I/O Terminals | 1 x Alarm In / 1 x Alarm Out |
| Language on webpage | English, French, Spanish, German, Italian |
| Power Source | DC12V, PoE+(IEEE 802.3at Class 4) |
| Power Consumption | DC12V Max 13.2W, PoE Max 16W |
| Operating Conditions | Humidity 10 ~ 90% RH (non condensing) [DC12V / PoE] -40°C ~ 50°C (-40°F ~ 122°F) |
| Cold Start | Supported |
| Approvals | FCC, CE, IP67, IK10 |
| Weight | 0.9 kg (1.98 lbs) |
| Dimensions (D x W) | 309.8mm x 96.7mm (12.19" x 0.38") |
| Edge Storage | |
| Storage | 1x microSD / microSDHC / microSDXC (card not included). Max. Capacity: 256GB |

Wavestore Vision 5MP IR Bullet IP Camera

Video Analytics Features

Wavestore Analytics Engine with Deep Learning Filter, Deep Learning People Tracking, Deep Learning Object Tracking and rich library of detection behaviours

Detection Zones and Rules: Multi-segment Polygons and Lines

Intrusion (motion) Detection

Tamper Detection

Detection Behaviour: Enter, Exit, Appear, Disappear, Stop, Direction, Dwell Filter, Abandoned/Removed Object, Tailgating

Logical Rules extend standard rules to allow various behaviour combinations

3D Behaviour: Perspective, Size and Speed Filters

Object Classification: Configurable Max./Min. object sizes and Max./Min. speeds

High accuracy counting for people and vehicles, 20 counters in total

Meta Data, JSON format, Plain XML format



DL Filter



DL People Tracker



DL Object Tracker



Intrusion Detection



Zones & lines



Tamper Detection



Appear Filter



Disappear Filter



Dwell Filter



Enter Filter



Exit Filter



Stopped Filter



Counting



Counting Lines



Tailgating Filter



3D Calibration



Abandoned Object Filter



Removed Object Filter



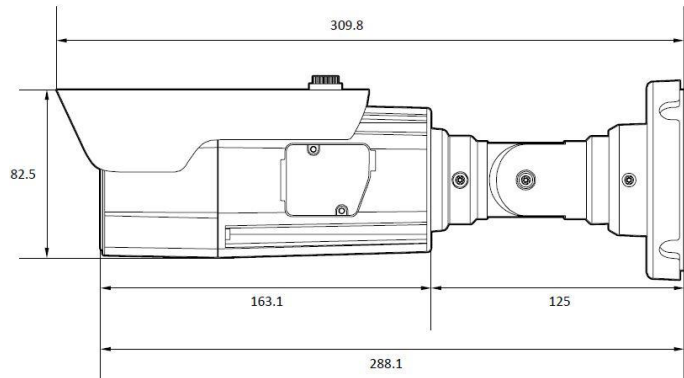
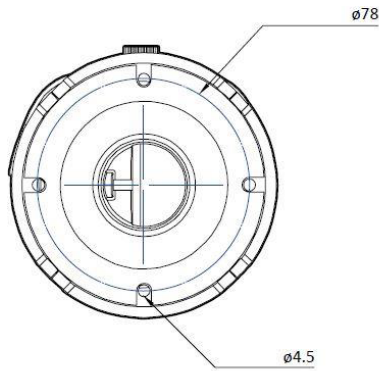
Direction Filter



Logical Rules

Dimensions

(Unit: mm)



Accessories



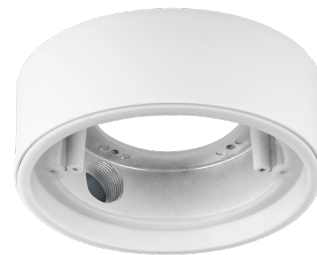
BPO1 Pole Mount Adaptor



BCO01 Corner Mount Adaptor



BJC07 Junction Box



BJC03 Junction Box