

Wavestore Vision 5MP IR Dome IP Camera

WV-5D-27V13

- Indoor/Outdoor Application
- 30fps at 5MP
- H.265, H.264 and MJPEG compression
- Superior low light performance
- True Day/Night and WDR
- Remote zoom and focus lens (auto focus)
- SMART Bitrate Control and Region of Interest

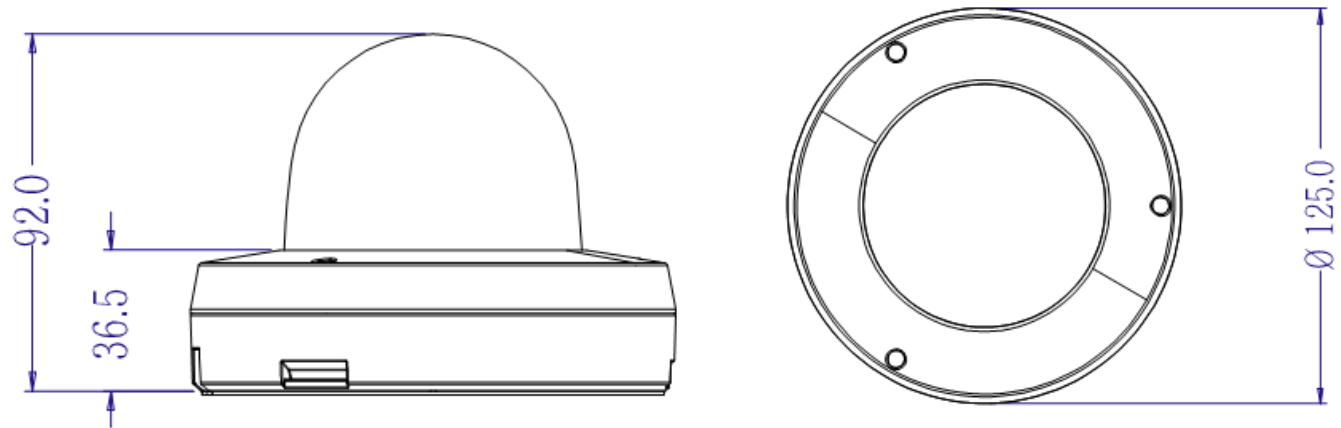


TECHNICAL SPECIFICATION	
Camera	
Model	WV-5D-27V13
Image Sensor	SONY STARVIS EXMOR 1/2.8" 5M CMOS
Effective Pixels	2592(H) x 1944(V)
Scanning System	Progressive scanning
AGC Control	Auto
IRIS Type	P-IRIS
Minimum Illumination	Colour: 0.08Lux / B/W : 0 Lux (IR LED On)
Lens	2.7 ~ 13.5mm, F1.4
Angle of View	Horizontal: Approx. 85 Deg. (Wide) to 31 Deg. (Tele)
Shutter Time	Auto / Manual: 1/30 ~ 1/32,000, Anti Flicker, Slow Shutter (1/2,1/3,1/5,1/6,1/7.5,1/10)
Day & Night	True Day & Night (Removable IR-cut filter)
Wide Dynamic Range	True WDR, 120dB or above.
S/N Ratio	50 dB
IR Illuminator	
IR LED	2 x High Power LED
IR Working Distance	25 m
Video	
Video Compression	H.265, H.264, MJPEG
Profile	H.264 : MP / HP H.265 : MP
Multiple Profile Streaming Performance	2592x1944p30 + 480p30 with H.264, H.265 + MJPEG
Max Resolution	2592 x 1944
Video Bit Rate	100Kbps ~ 10Mbps Multi-rate for Preview and Recording
Bitrate Control	Multi Streaming CBR/VBR (Controllable frame rate and Bandwidth)
Digital Noise Reduction	3D-DNR
Privacy Mask	16 programmable zones
Special Features	SMART Bitrate Control, Region of Interest
Other Image Processing	Configurable Exposure, White Balance, Sharpness
Image Orientation	Flip / Mirror / Corridor Mode
Analogue Output	1 (Installation only) CVBS 1.0V p p (75Ω), 4:3 aspect ratio

TECHNICAL SPECIFICATION	
Audio	
Audio Streaming	Two way
Audio Compression	G.711
Audio input / output	1 / 1
Event	
Event Trigger	Motion Alarm, Internal Temp Limit, Digital Input
Pre-Post Recording	Pre: 1~5 sec Post: 1~240 sec
Event Notification	FTP, E-mail, Alarm out, SD card
Network	
Ethernet Standard	10 / 100 / 1000Base-T
IP	IPv4
Protocol	TCP/IP, UDP, AutoIP, RTP(UDP/TCP), RTSP, NTP, HTTP, HTTPS, SSL, DNS, DDNS, DHCP, FTP, SMTP, ICMP, SNMPv1/v2/v3(MIB 2), ONVIF
Security	HTTPS(SSL), IP filtering, 802.1x, Digest Authentication
Plug In	ONVIF Profile S, CGI API
General	
Material	Aluminum Die-casting, White
External I/O Terminals	1 x Alarm In / 1 x Alarm Out
Language on webpage	English, French, Spanish, German, Italian
Power Source	DC12V, PoE(IEEE 802.3af)
Power Consumption	DC12V Max 10W, PoE Max 13W
Operating Conditions	Humidity 10 ~ 90% RH (non condensing) [DC12V / PoE] -30°C ~ 50°C (-22°F ~ 122°F)
Approvals	FCC, CE, IP67, IK10
Weight	0.85 kg (1.87 lbs)
Dimensions (D x W)	Ø125mm x 92mm (4.92" x 3.62")
Edge Storage	
Storage	1x microSD / microSDHC / microSDXC (card not included). Max. Capacity: 256GB

Dimensions

(Unit: mm)



Accessories



BW10 Wall Mount Bracket



BC10 Drop Mount Bracket



BP01 Pole Mount Adaptor



BCO01 Corner Mount Adaptor