

Wavestore Vision 12MP Compact IR Fisheye IP Camera

WV-12F-360M-AI

- Indoor/Outdoor Application
- 12MP 360° or 180° viewing angle
- Immersion Enabled Lens
- H.265, H.264 and MJPEG compression
- Superior low light performance
- True Day/Night and WDR
- SMART Bitrate Control and Region of Interest
- Deep Learning Object-Tracking and People-Tracking Analytics



TECHNICAL SPECIFICATION	
Camera	
Model No.	WV-12F-360M-AI
Image Sensor	1/1.7" 12.4M CMOS
Effective Pixels	4072(H) X 3046(V)
Scanning System	Progressive scanning
AGC Control	Auto
IRIS Type	Auto Exposure
Minimum Illumination	Colour: 0.3 Lux / BW : 0 Lux(IR LED On)
Lens	1.2mm, F2.2, Immersion Enabled (RPL - C9VVT)
Angle of View	360°
Shutter Time	Auto / Manual: 1/30 ~ 1/32,000, Anti Flicker, Slow Shutter (1/2,1/3,1/5,1/6,1/7.5,1/10)
Day & Night	True Day & Night (Removable IR-cut filter)
Wide Dynamic Range	Digital WDR
S/N Ratio	50 dB
IR Illuminator	
IR LED	High Power IR LED x 3
IR Working Distance	25m
Video	
Video Compression	H.265, H.264, MJPEG
Profile	H.264 : MP / HP H.265 : MP
Multiple Profile Streaming Performance	4000x3000p20 + 320x320p20 with H.264,H.265 + MJPEG 3000x3000p30 + 320x320p30 with H.264,H.265 + MJPEG
Max Resolution	4000 x 3000
Video Bit Rate	100Kbps ~ 10Mbps Multi rate for Preview and Recording
Bitrate Control	Multi Streaming CBR/VBR (Controllable frame rate and Bandwidth)
Digital Noise Reduction	3D-DNR
Privacy Mask	16 programmable zones
Special Features	SMART Bitrate Control, Region of Interest
Other Image Processing	Configurable Exposure, White Balance, Sharpness
Analogue Output	-

TECHNICAL SPECIFICATION	
Audio	
Audio Compression	G.711
Audio input / output	1/1
Event	
Event Trigger	Motion, Internal Temp Limit
Pre-Post Recording	Pre: 1~5 sec Post: 1~240 sec
Event Notification	FTP, E-mail, SD card
Network	
Ethernet Standard	10 / 100 Base-T
IP	IPv4
Protocol	TCP/IP, UDP, AutoIP, RTP(UDP/TCP), RTSP, NTP, HTTP, HTTPS, SSL, DNS, DDNS, DHCP, FTP, SMTP, ICMP, SNMPv1/v2/v3(MIB 2), ONVIF
Security	HTTPS(SSL), IP filtering, 802.1x, Digest Authentication
Plug In	ONVIF Profile S, CGI API
General	
Material	Aluminum Die-casting
External I/O Terminals	-
Language on webpage	English, French, Spanish, German, Italian
Power Source	DC12V, PoE(IEEE 802.3af)
Power Consumption	DC12V Max 8.5W, PoE Max 10W
Operating Conditions	Humidity 10 ~ 90% RH (non condensing) [DC12V / PoE] -30°C ~ 50°C (-22°F ~ 122°F)
Approvals	FCC, CE, IP66, IK09
Weight	0.5 kg (1.10 lbs)
Dimensions (D x W)	Ø125mm x 48.6 mm (4.92" x 1.91")
Edge Storage	
Storage	1x microSD / microSDHC / microSDXC (card not included) Max. Capacity: 256GB

Video Analytics Features

Wavestore Analytics Engine with Deep Learning Filter, Deep Learning People Tracking, Deep Learning Object Tracking and rich library of detection behaviours

Detection Zones and Rules: Multi-segment Polygons and Lines

Intrusion (motion) Detection

Tamper Detection

Detection Behaviour: Enter, Exit, Appear, Disappear, Stop, Direction, Dwell Filter, Abandoned/Removed Object, Tailgating

Logical Rules extend standard rules to allow various behaviour combinations

3D Behaviour: Perspective, Size and Speed Filters

Object Classification: Configurable Max./Min. object sizes and Max./Min. speeds

High accuracy counting for people and vehicles, 20 counters in total

Meta Data, JSON format, Plain XML format



DL Filter



DL People Tracker



DL Object Tracker



Intrusion Detection



Zones & lines



Tamper Detection



Appear Filter



Disappear Filter



Dwell Filter



Enter Filter



Exit Filter



Stopped Filter



Counting



Counting Lines



Tailgating Filter



3D Calibration



Abandoned Object Filter



Removed Object Filter



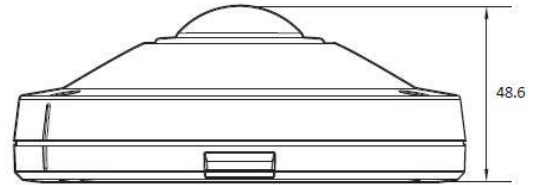
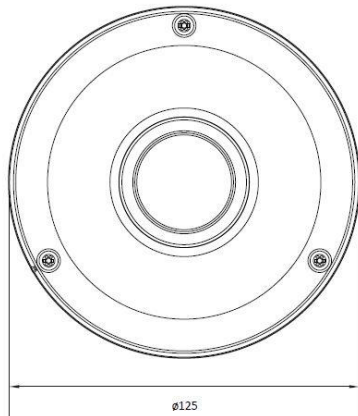
Direction Filter



Logical Rules

Dimensions

(Unit: mm)



Accessories



BW10 Wall Mount Bracket



BC10 Drop Mount Bracket



BP01 Pole Mount Adaptor



BCO01 Corner Mount Adaptor