

Wavestore Vision Thermal Mini Bullet IP Camera

WV-CT-4F-A

- Indoor/Outdoor Application
- Compact size and light weight
- 12 μm uncooled vanadium oxide microbolometer
- Array size : 320 x 240
- -40°C to 330°C (-40°F to 626°F) Detection
- Flexible input power options: DC or PoE
- Advanced Analytics capabilities included



| TECHNICAL SPECIFICATION | |
|--|---|
| Camera Module (Pixel Array) | |
| Model No. | WV-CT-4F-A |
| Array Size (Resolution) | 320 x 240 |
| Detection Type | Uncooled Vanadium Oxide Microbolometer |
| Sensor Pixel Size | 12 μm |
| Spectral Response | 7.8~14 μm |
| Lens | 4.0mm, F1.0 |
| FoV | 56° x 42° |
| Sensitivity (NETD) | 65mK(Typical), Less than 100mK(max) @ 25°C |
| Detectable Temperature Range | -40°C to 330°C (40°F to 626°F) |
| Temperature Accuracy | The greater of ±5°C or 5% between 5°C to 140°C scene temperatures. Typical performance of ±10% between 140°C to 330°C scene temperatures. |
| | Specified at nominal 25°C ambient operating temperature and nominal measurement distance of 12 inches from blackbody. Temperature reported is Centre Spot temperature, which is an average of the centre 36 pixels. |
| Video | |
| Video Compression | H.265, H.264, MJPEG |
| Profile | H.264 : MP / HP H.265 : MP |
| Multiple Profile Streaming Performance | 640x480/9fps + 640x480/9fps with H.264, H.265 + MJPEG |
| Resolution | 640x480, 320x240 |
| Frame Rate | Max. 9fps in all resolutions |
| Video Bitrate | 100Kbps ~ 10Mbps Multi rate for Preview and Recording |
| Bitrate Control | Multi Streaming CBR/VBR (Controllable frame rate and Bandwidth) |
| Digital Noise Reduction | 3D DNR |
| Privacy Mask | 16 programmable zones |
| Special Features | SMART Bitrate Control, Region of Interest |
| Analogue Output | 1 (Installation only) CVBS 1.0V p p (75Ω), 4:3 aspect ratio |

| TECHNICAL SPECIFICATION | |
|-------------------------|--|
| Audio | |
| Input | 1 channel |
| Output | 1 channel |
| Compression format | G.711, AAC |
| Event | |
| Event Trigger | Motion Alarm, Digital Input Temperature Alarm (Above, Below, Slope Rate) |
| Pre-Post Recording | Pre: 1~5 sec Post: 1~240 sec |
| Event Notification | FTP, E-mail, Alarm out, SD card |
| Network | |
| Ethernet Standard | 10 / 100 Base-T |
| IP | IPv4 |
| Protocol | TCP/IP, UDP, AutoIP, RTP(UDP/TCP), RTSP, NTP, HTTP, HTTPS, SSL, DNS, DDNS, DHCP, FTP, SMTP, ICMP, SNMPv1/v2/v3(MIB 2), ONVIF |
| Security | HTTPS(SSL), IP filtering, 802.1x, Digest Authentication |
| Plug In | ONVIF Profile S, CGI API |
| General | |
| Material | Aluminum Die casting, White & Silver |
| External I/O Terminals | 1 x Alarm In / 1 x Alarm Out |
| Language on webpage | English, French, German, Italian & Spanish |
| Power Source | DC12V, PoE(IEEE 802.3af) |
| Power Consumption | DC12V Max 8.7W, PoE Max 11.9W |
| Operating Conditions | Humidity 10 ~ 90% RH (non condensing) [DC12V / PoE] -40°C ~ 50°C (-40°F ~ 122°F) |
| Approvals | FCC, CE, IP66 |
| Weight | 0.65 kg (1.433 lbs) |
| Dimensions (H x W x D) | 76mm x 61mm x 208mm (2.99" x 2.45" x 8.19") |
| Edge Storage | |
| Storage | 1x microSD / microSDHC / microSDXC (card not included). Max. Capacity: 256GB |

Wavestore Vision Thermal Mini Bullet IP Camera

Video Analytics Features

Wavestore Analytics Engine with advanced tracking algorithm and rich library of detection behaviours

Detection Zones and Rules: Multi-segment Polygons and Lines

Intrusion (motion) Detection

Tamper Detection

Detection Behaviour: Enter, Exit, Appear, Disappear, Stop, Direction, Dwell Filter, Abandoned/Removed Object, Tailgating

Logical Rules extend standard rules to allow various behaviour combinations

3D Behaviour: Perspective, Size and Speed Filters

Object Classification: Configurable Max./Min. object sizes and Max./Min. speeds

High accuracy counting for people and vehicles, 20 counters in total

Meta Data, JSON format, Plain XML format

Analytics features

| | | | |
|---------------------|------------------|-------------------------|-----------------------|
| | | | |
| Intrusion Detection | Zones & lines | Tamper Detection | |
| | | | |
| Appear Filter | Disappear Filter | Dwell Filter | Enter Filter |
| | | | |
| Exit Filter | Stopped Filter | Counting | Counting Lines |
| | | | |
| Tailgating Filter | 3D Calibration | Abandoned Object Filter | Removed Object Filter |
| | | | |
| Direction Filter | Logical Rules | | |

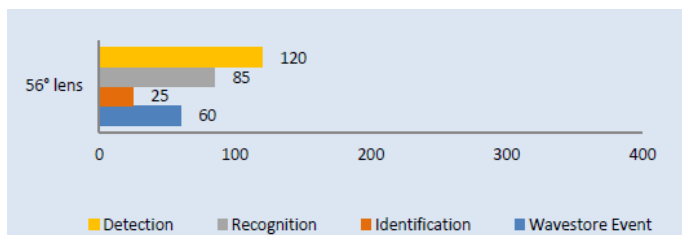
Detection Range

*The detection range is of maximum values.

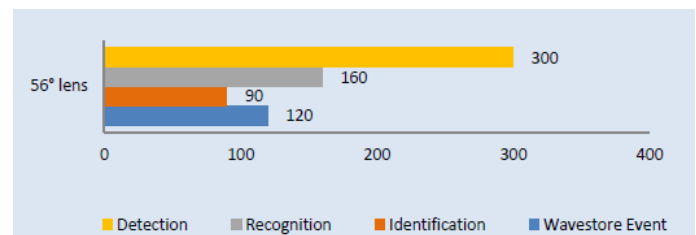
(Unit: metre)

| WV-CT-4F-A | | | | |
|------------|-----------|-------------|----------------|-----------------|
| Object | Detection | Recognition | Identification | Wavestore Event |
| Person | 120 | 85 | 25 | Max. 60 |
| Vehicle | 300 | 160 | 90 | Max. 120 |

Person

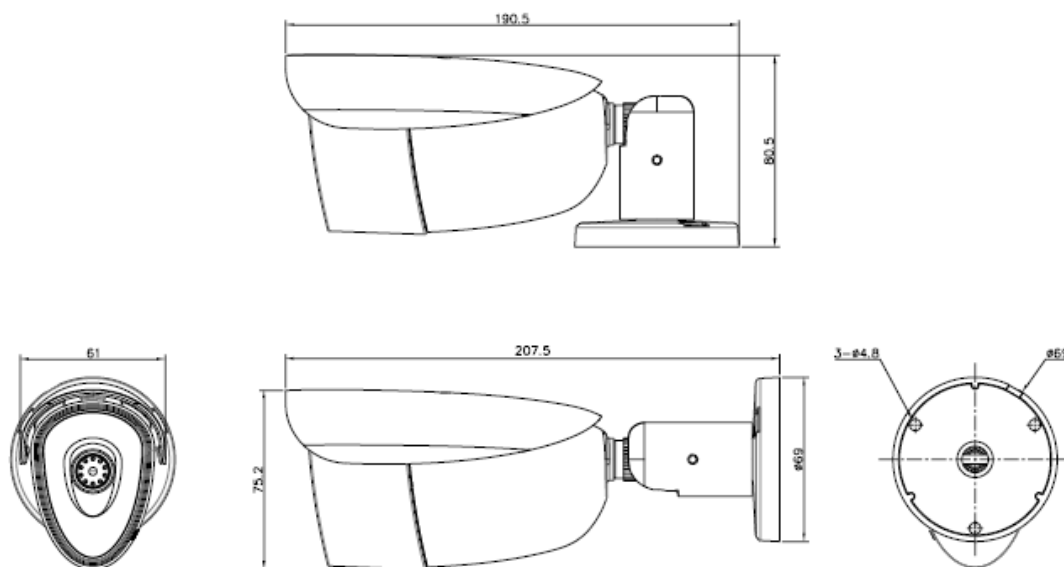


Vehicle



Dimensions

(Unit: mm)



Accessories



BP01 Pole Mount Adaptor



BCO01 Corner Mount Adaptor



BJC07 Junction Box