

Wavestone Vision 4K 180° IR Bullet IP Camera

WV-8S-180-AI

- Indoor/Outdoor Application
- 30fps at 8MP
- H.265, H.264 and MJPEG compression
- Superior low light performance
- True Day/Night and WDR
- Horizontal FOV 180° & Vertical FOV 80°
- SMART Bitrate Control and Region of Interest
- Deep Learning Object-Tracking and People-Tracking Analytics



TECHNICAL SPECIFICATION	
Camera	
Model No.	WV-8S-180-AI
Image Sensor	SONY STARVIS EXMOR 1/1.8" 8.5M CMOS
Effective Pixels	3864(H) x 2192(V)
Scanning System	Progressive scanning
AGC Control	Auto
IRIS Type	Auto Exposure
Minimum Illumination	Colour: 0.29 Lux / B/W : 0 Lux (IR LED On)
Lens	2.3mm, F2.8
Angle of View	Horizontal: Approx. 180°, Vertical: Approx. 80°
Shutter Time	Auto / Manual: 1/30 ~ 1/32,000, Anti Flicker, Slow Shutter (1/2,1/3,1/5,1/6,1/7.5,1/10)
Day & Night	True Day & Night (Removable IR-cut filter)
Wide Dynamic Range	True WDR (Max. 15fps when WDR is on)
S/N Ratio	50 dB
IR Illuminator	
IR LED	4 x High Power LED
IR Working Distance	25m
Video	
Video Compression	H.265, H.264, MJPEG
Profile	H.264 : MP / HP H.265 : MP
Multiple Profile Streaming Performance	3840x2160p30 + 480p30 with H.264,H265 + MJPEG
Max Resolution	3840 x 2160
Video Bit Rate	100Kbps ~ 10Mbps Multi rate for Preview and Recording
Bitrate Control	Multi Streaming CBR/VBR (Controllable frame rate and Bandwidth)
Digital Noise Reduction	3D-DNR
Privacy Mask	-
Special Features	SMART Bitrate Control, Region of Interest
Other Image Processing	Configurable Exposure, White Balance, Sharpness
Image Orientation	Flip / Mirror
Analogue Output	1 (Installation only) CVBS 1.0V p p (75Ω), 4:3 aspect ratio

TECHNICAL SPECIFICATION	
Audio	
Audio Streaming	Two way
Audio Compression	G.711
Audio input / output	1 / 1
Event	
Event Trigger	Motion Alarm, Internal Temp Limit, Digital Input
Pre-Post Recording	Pre: 1~5 sec Post: 1~240 sec
Event Notification	FTP, E-mail, Alarm-out, SD card
Network	
Ethernet Standard	10/100/1000Base T(1Gbps)
IP	IPv4
Protocol	TCP/IP, UDP, AutoIP, RTP(UDP/TCP), RTSP, NTP, HTTP, HTTPS, SSL, DNS, DDNS, DHCP, FTP, SMTP, ICMP, SNMPv1/v2/v3(MIB 2), ONVIF
Security	HTTPS(SSL), IP filtering, 802.1x, Digest Authentication
Plug In	ONVIF Profile S, CGI API
General	
Material	Aluminum Die-casting, White
External I/O Terminals	1 x Alarm In / 1 x Alarm Out
Language on webpage	English, French, Spanish, German, Italian
Power Source	DC12V, PoE(IEEE 802.3af)
Power Consumption	DC12V Max 8.9W, PoE Max 12.3W
Operating Conditions	Humidity 10 ~ 90% RH (non condensing) [DC12V / PoE] -30°C ~ 50°C (-22°F ~ 122°F)
Approvals	FCC, CE, IP67, IK09
Weight	0.97 kg
Dimensions (D x W)	228mm x 96.7mm
Edge Storage	
Storage	1x microSD / microSDHC / microSDXC (card not included). Max. capacity: 256GB

Video Analytics Features

Wavestore Analytics Engine with Deep Learning Filter, Deep Learning People Tracking, Deep Learning Object Tracking and rich library of detection behaviours

Detection Zones and Rules: Multi-segment Polygons and Lines

Intrusion (motion) Detection

Tamper Detection

Detection Behaviour: Enter, Exit, Appear, Disappear, Stop, Direction, Dwell Filter, Abandoned/Removed Object, Tailgating

Logical Rules extend standard rules to allow various behaviour combinations

3D Behaviour: Perspective, Size and Speed Filters

Object Classification: Configurable Max./Min. object sizes and Max./Min. speeds

High accuracy counting for people and vehicles, 20 counters in total

Meta Data, JSON format, Plain XML format



DL Filter



DL People Tracker



DL Object Tracker



Intrusion Detection



Zones & lines



Tamper Detection



Appear Filter



Disappear Filter



Dwell Filter



Enter Filter



Exit Filter



Stopped Filter



Counting



Counting Lines



Tailgating Filter



3D Calibration



Abandoned Object Filter



Removed Object Filter



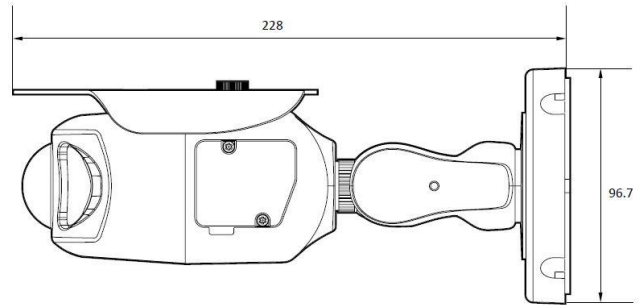
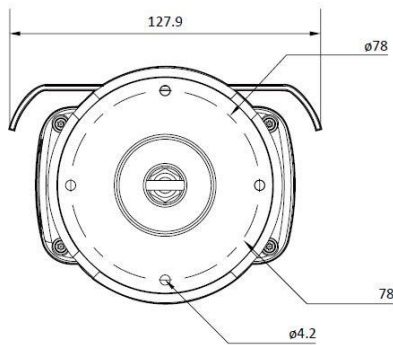
Direction Filter



Logical Rules

Dimensions

(Unit: mm)



Accessories



BP01 Pole Mount Adaptor



BCO01 Corner Mount Adaptor



BJC07 Junction Box