

Wavestore Vision 20MP 360° Surround View IP Camera

WV-20M4-28V8

- 4 x 5MP(20MP), 30fps at 5MP per sensor
- H.265, H.264 and MJPEG compression
- Flexible camera positioning up to 360°
- Remote zoom and focus lens (auto focus)
- Superior low light performance
- True Day/Night and WDR
- SMART Bitrate Control and Region of Interest
- Video Analytics as standard with optional extended capabilities



TECHNICAL SPECIFICATION	
Camera	
Models	WV-20M4-28V8 With extended analytics features: WV-20M4-28V8-A
Image Sensor	4 x SONY STARVIS EXMOR 1/2.8" 5M CMOS
Effective Pixels	2592(H) x 1944(V) per sensor
Scanning System	Progressive scanning
AGC Control	Auto
IRIS Type	Auto Exposure
Minimum Illumination	Colour: 0.13 Lux / B/W : 0.005 Lux
Lens	2.8 ~ 8mm, F1.6
Angle of View	Horizontal: Approx. 93 (Wide) to 51 (Tele)
Shutter Time	Auto / Manual: 1/30 ~ 1/32,000, Anti Flicker, Slow Shutter (1/2,1/3,1/5,1/6,1/7.5,1/10)
Day & Night	True Day & Night (Removable IR-cut filter)
Wide Dynamic Range	True WDR, 120 dB or above
S/N Ratio	50 dB
Video	
Video Compression	H.265, H.264, MJPEG
Profile	H.264 : MP / HP H.265 : MP
Multiple Profile Streaming Performance	2592x1944/30 + 480p30 with H.264,H265 + MJPEG
Max Resolution	2592 x 1944
Video Bit Rate	100Kbps ~ 10Mbps Multi rate for Preview and Recording
Bitrate Control	Multi Streaming CBR/VBR (Controllable frame rate and Bandwidth)
Digital Noise Reduction	3D-DNR
Privacy Mask	16 programmable zones
Special Features	SMART Bitrate Control, Region of Interest
Other Image Processing	Configurable Exposure, White Balance, Sharpness
Analogue Output	1 (Installation only) CVBS 1.0V p p (75Ω), 4:3 aspect ratio Camera selectable

TECHNICAL SPECIFICATION	
Audio	
Audio Compression	G.711
Audio input / output	1/1 (For the 1st Camera)
Event	
Event Trigger	Motion Alarm, Internal Temp Limit, Digital Input
Pre-Post Recording	Pre: 1~5 sec Post: 1~240 sec
Event Notification	FTP, E mail, Alarm out, SD card
Network	
Ethernet Standard	10/100/1000Base T(1Gbps)
IP	IPv4
Protocol	TCP/IP, UDP, AutoIP, RTP(UDP/TCP), RTSP, NTP, HTTP, HTTPS, SSL, DNS, DDNS, DHCP, FTP, SMTP, ICMP, SNMPv1/v2/v3(MIB 2), ONVIF
Security	HTTPS(SSL), IP filtering, 802.1x, Digest Authentication
Plug In	ONVIF Profile S, CGI API
General	
Material	Aluminum Die-casting, White
External I/O Terminals	1 x Alarm In / 1 x Alarm Out (For the 1st Camera)
Language on webpage	English, French, Spanish, German, Italian
Power Source	DC12V, Ultra PoE(IEEE 802.3bt Class5)
Power Consumption	DC12V Max 28W, PoE Max 31W
Operating Conditions	Humidity 10 ~ 90% RH (non condensing) [DC12V / PoE] -30°C ~ 50°C (-22°F ~ 122°F)
Approvals	FCC, CE, IP67, IK10
Weight	2.1 kg (4.62 lbs)
Dimensions (D x W)	Ø210mm x 92mm (8.26" x 3.62")
Edge Storage	
Storage	1x microSD / microSDHC / microSDXC (card not included). Max. Capacity: 256GB

Video Analytics

Standard features

Wavestore Analytics Engine with advanced tracking algorithm and rich library of detection behaviours

Detection Zones and Rules: Multi-segment Polygons and Lines

Intrusion (motion) Detection

Tamper Detection

Standard features



Intrusion Detection



Zones & lines



Tamper Detection

Optional extended features

Included on WV-20M4-28V8-A model.

Can be enabled on WV-20M4-28V8 model by applying additional licence (WA-VAL-C).

Detection Behaviour: Enter, Exit, Appear, Disappear, Stop, Direction, Dwell Filter, Abandoned/Removed Object, Tailgating

Logical Rules extend standard rules to allow various behaviour combinations

3D Behaviour: Perspective, Size and Speed Filters

Object Classification: Configurable Max./Min. object sizes and Max./Min. speeds

High accuracy counting for people and vehicles, 20 counters in total

Meta Data, JSON format, Plain XML format

Optional extended features



Appear Filter



Disappear Filter



Dwell Filter



Enter Filter



Exit Filter



Stopped Filter



Counting



Counting Lines



Tailgating Filter



3D Calibration



Abandoned Object Filter



Removed Object Filter



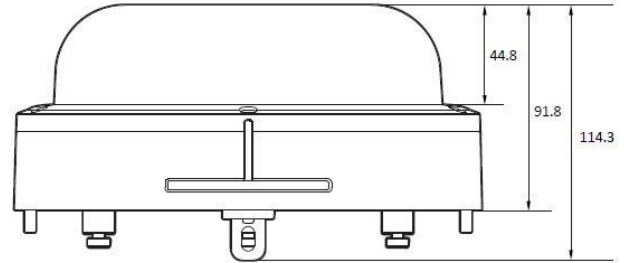
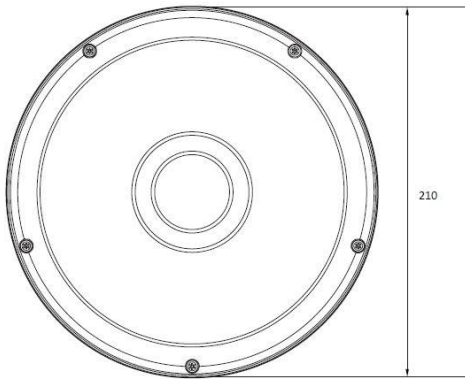
Direction Filter



Logical Rules

Dimensions

(Unit: mm)



Accessories



BJC06 Surface Mount Bracket



BW15 Wall Mount Bracket



BC15 Drop Mount Bracket

Note : To install WV-20M4-28V8, one of the above three brackets is required.



BP01 Pole Mount Adaptor



BCO01 Corner Mount Adaptor